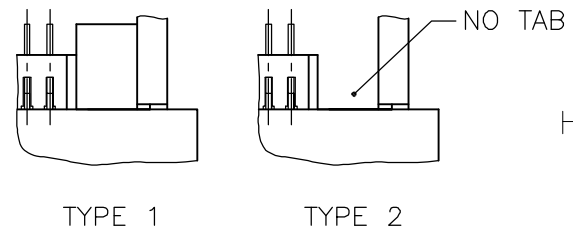
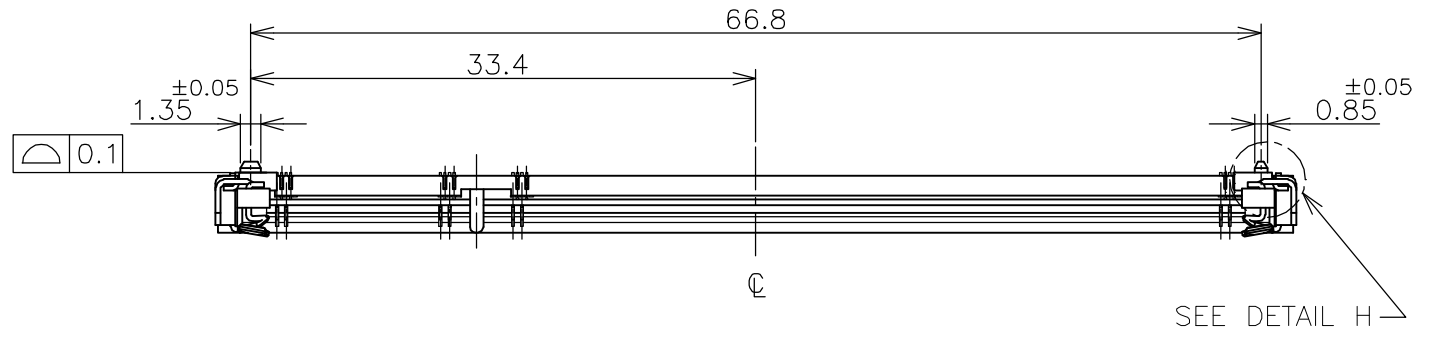


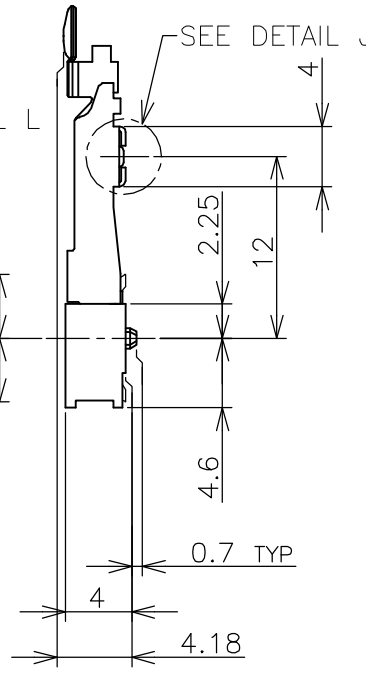
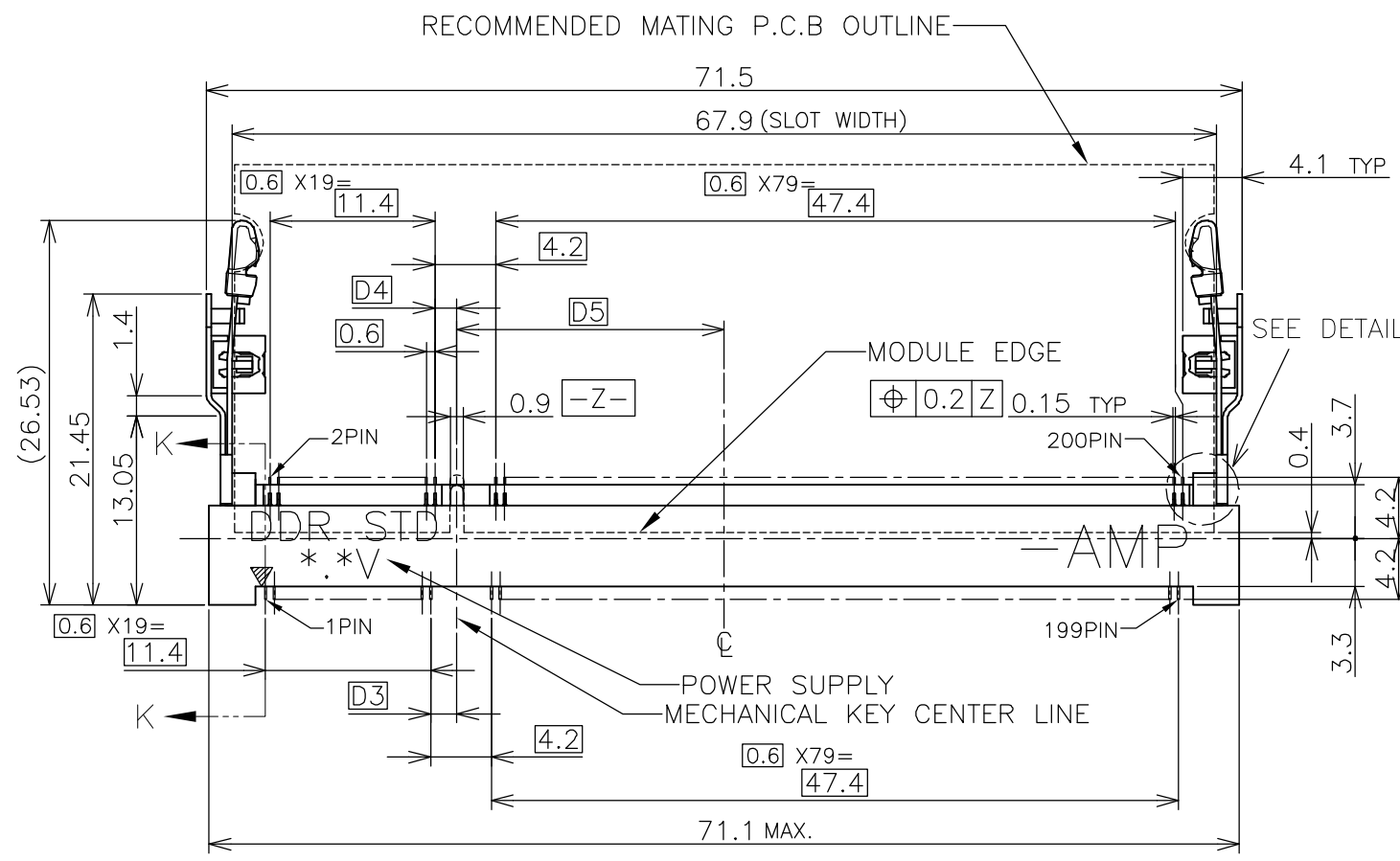
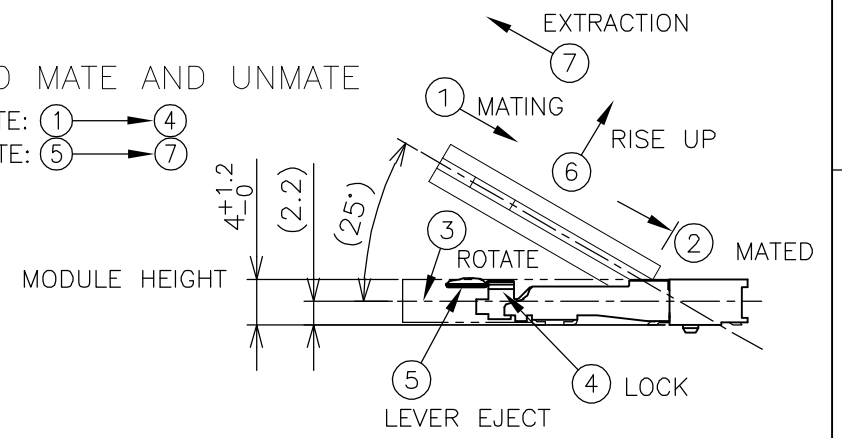
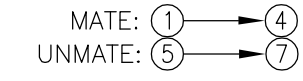
THIS DRAWING IS UNPUBLISHED. RELEASED FOR PUBLICATION OCT, 2001.
 © COPYRIGHT 2001 BY TYCO ELECTRONICS CORPORATION. ALL RIGHTS RESERVED.

LOC	DIST	REVISIONS					
		P	LTR	DESCRIPTION	DATE	DWN	APVD
J			G	REVISED (ECR-06-024642)	17OCT06	S.Y	S.Y



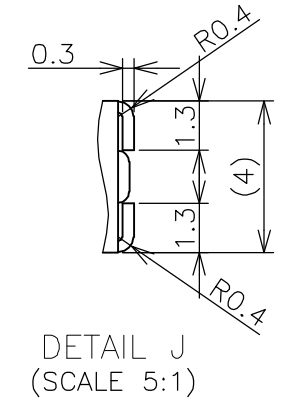
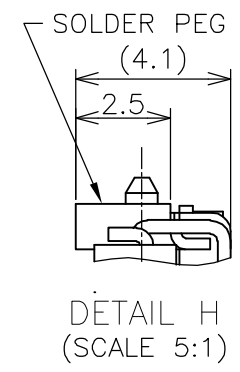
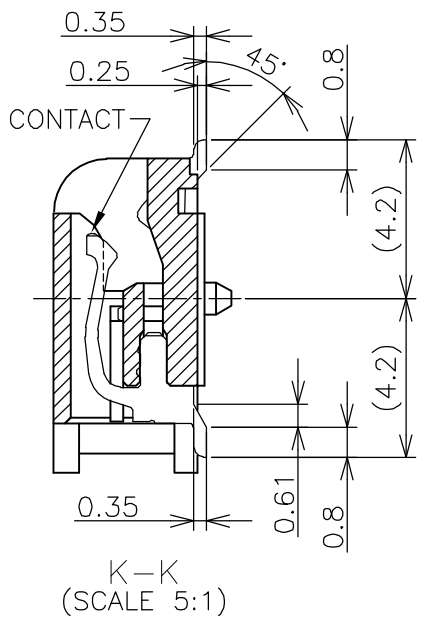
DETAIL L (SCALE 5:1)

HOW TO MATE AND UNMATE



(APPLIED TO SHEET 1-2)

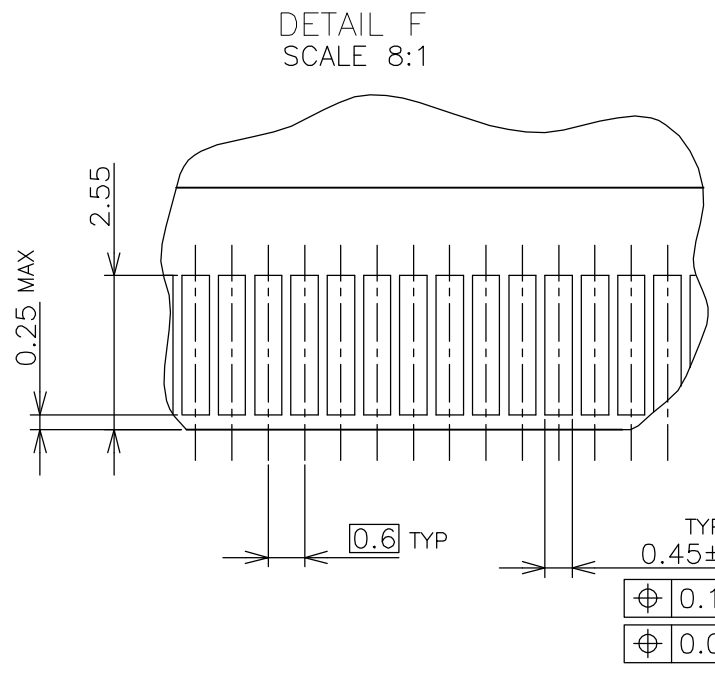
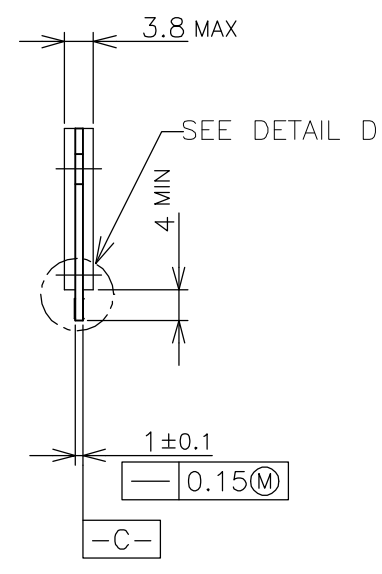
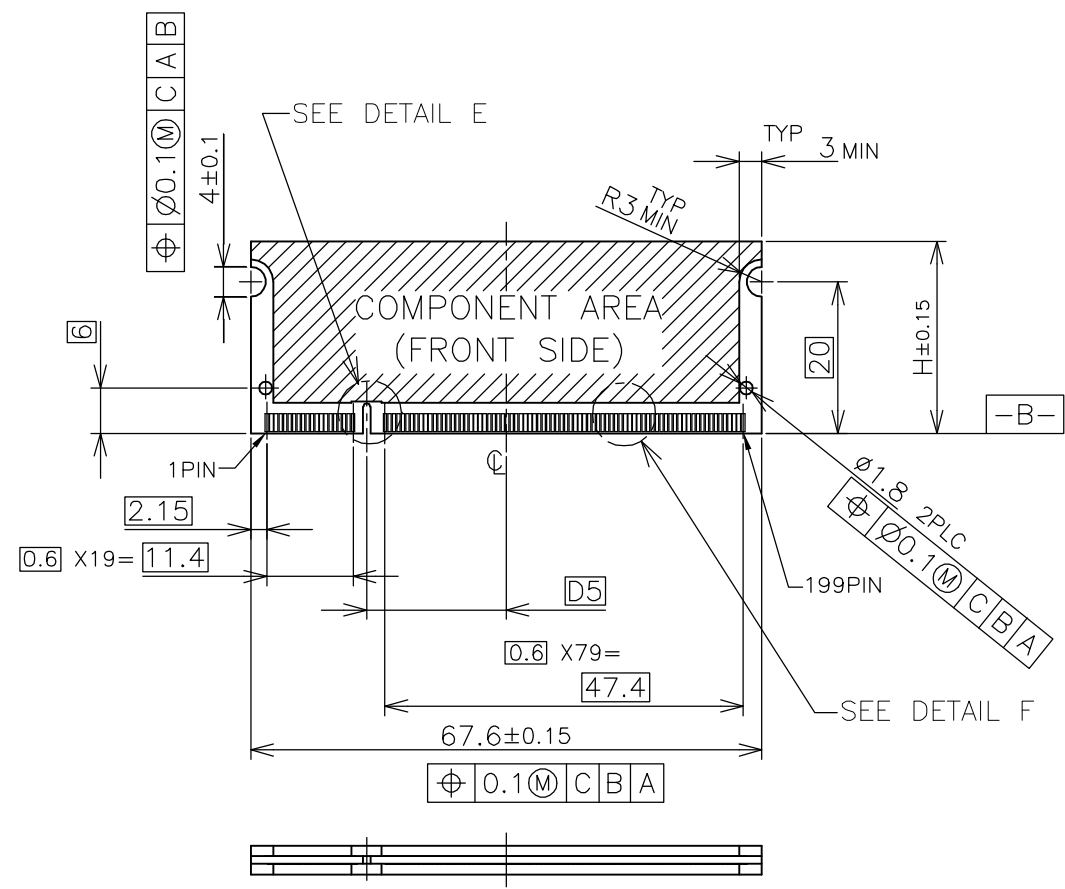
- MATERIAL ; HOUSING: HIGH TEMPERATURE THERMO PLASTIC UL94V-0
CONTACT: COPPER ARROY
LOCK LEVER STAINLESS STEEL
SOLDER PEG: COPPER ARROY
- FINISH ; CONTACT AREA: GOLD FLASH ON 0.0013MIN ALL OVER NICKEL.
SOLDERING AREA: GOLD FLASH PLT.
SOLDER PEG: TIN PLATING.
- MECHANICAL KEY POSITION OF CONNECTOR SEE TABLE.
- TOLERANCES NON-CUMULATIVE.
- NOT TO SCALE.
- INSIDE MUST BE RESIST COAT EXCEPT SOLDER PATTERN.
- IF THE MODULE DOESN'T INSERT AND LOCK IN THE LATCH SMOOTHLY, OPEN WIDE BOTH LATCHES BY MANUAL. AND THE MODULE MUST BE INSERTED AND LOCKED IN THE LATCH.



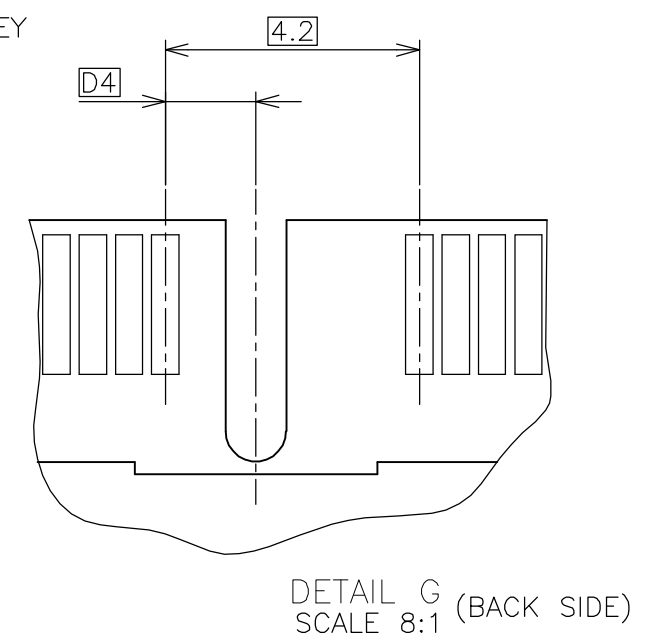
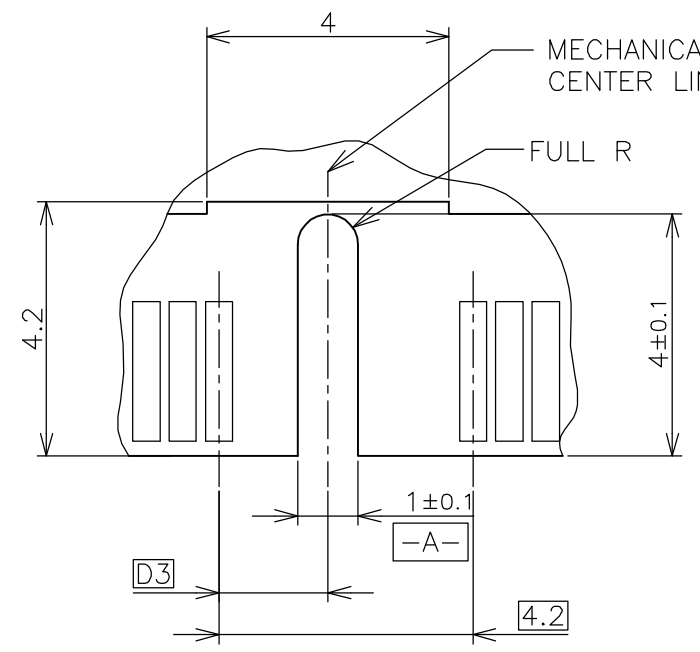
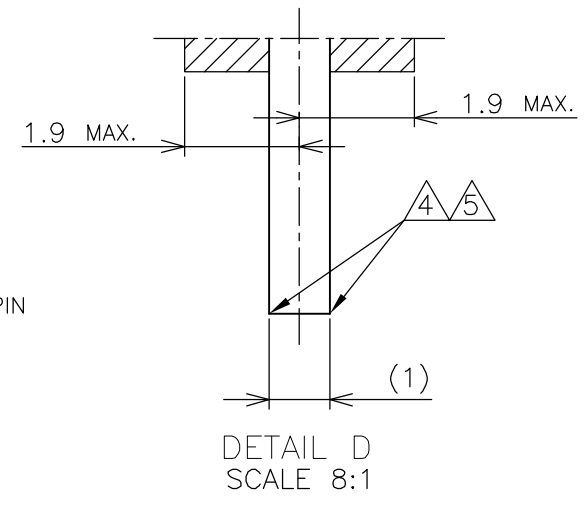
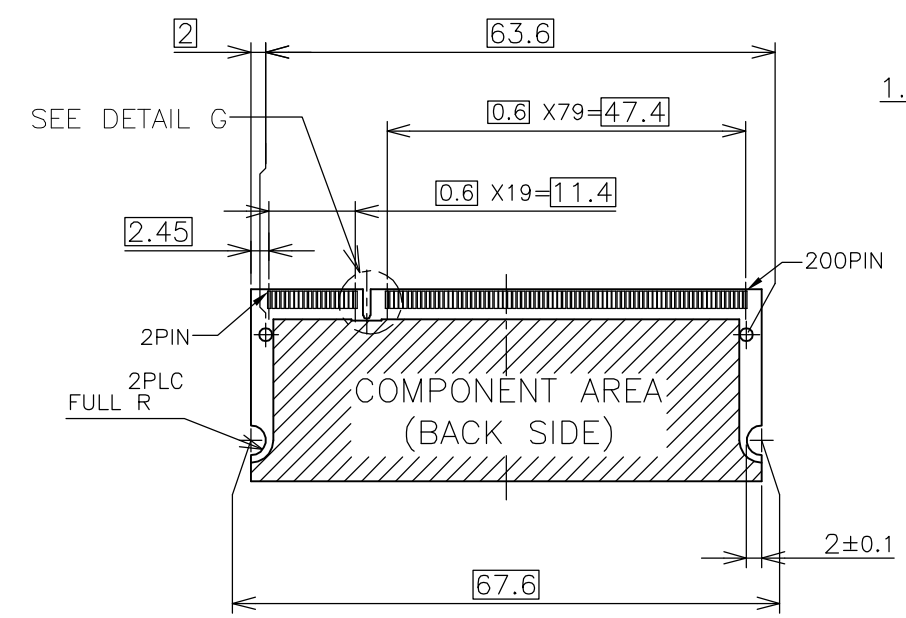
TYPE 2	AVAILABLE	BOSSLESS	1.8V (DDR2)	17.55	2.4	2.7	200	1-1565691-4
TYPE 2	AVAILABLE	—H—	1.8V (DDR2)	17.55	2.4	2.7	200	1565691-4
TYPE 1	AVAILABLE	BOSSLESS	2.5V (DDR1)	18.45	1.5	1.8	200	1-1565691-1
TYPE 1	AVAILABLE	—H—	2.5V (DDR1)	18.45	1.5	1.8	200	1565691-1
TAB TYPE	TOOLING STATUS	REMARK	POWER SUPPLY (TYPE)	D5	D4	D3	POS	PART NO.
THIS DRAWING IS A CONTROLLED DOCUMENT.			DWN	T.FUMIKURA		09NOV01		Tyco Electronics AMP K.K. Kawasaki, Japan
			CHK	H.KODAMA		09NOV01		
			APVD	H.KODAMA		09NOV01		NAME DDR1 & DDR2 SODIMM SOCKET 0.6mm PITCH 200POS LOW PROFILE STANDARD TYPE
DIMENSIONS: MM			TOLERANCES UNLESS OTHERWISE SPECIFIED:		108-5701			
			0 PLC ± 0.3		APPLICATION SPEC			
			1 PLC ± 0.3		SIZE			
			2 PLC ± 0.3		CAGE CODE			
			3 PLC ± 0.3		DRAWING NO			
			4 PLC ± 0.3		RESTRICTED TO			
			ANGLES ± 3'		A3			
MATERIAL			FINISH		00779			
			WEIGHT		C-1565691			
			3.2g		SCALE			
CUSTOMER DRAWING			SCALE		SHEET			
			2:1		1 OF 4			
					REV			
					G			

THIS DRAWING IS UNPUBLISHED. RELEASED FOR PUBLICATION OCT. 2001.
 © COPYRIGHT 2001 BY TYCO ELECTRONICS CORPORATION. ALL RIGHTS RESERVED.

LOC	DIST	REVISIONS			
P	LTR	DESCRIPTION	DATE	DWN	APVD
J		SEE SHEET 1	-	-	-



- (APPLIED TO SHEET 3)
1. TOLERANCES ON ALL DIMENSIONS ±0.15 UNLESS OTHERWISE SPECIFIED.
 2. P.C.BOARD THICKNESS APPLIES ACROSS TABS AND INCLUDES PLATING AND/OR METALIZATION.
 3. FINISH OF PAD : GOLD PLATING 0.00076 MIN. OVER Ni PLATING 0.002MIN.
- △ NO BURR
- △ CHAMFER 0.25 MAX x 45° IF EXIST.



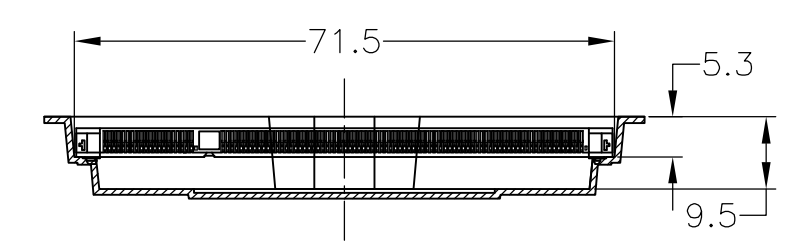
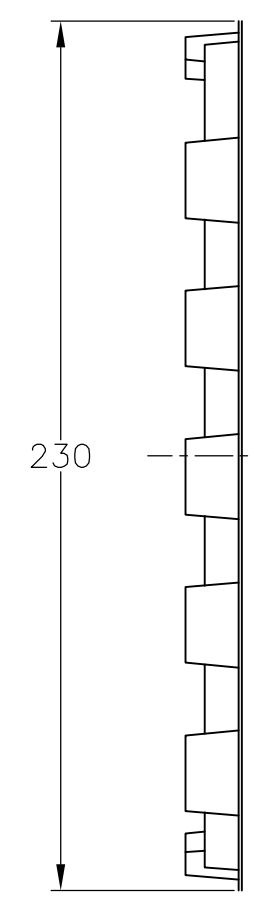
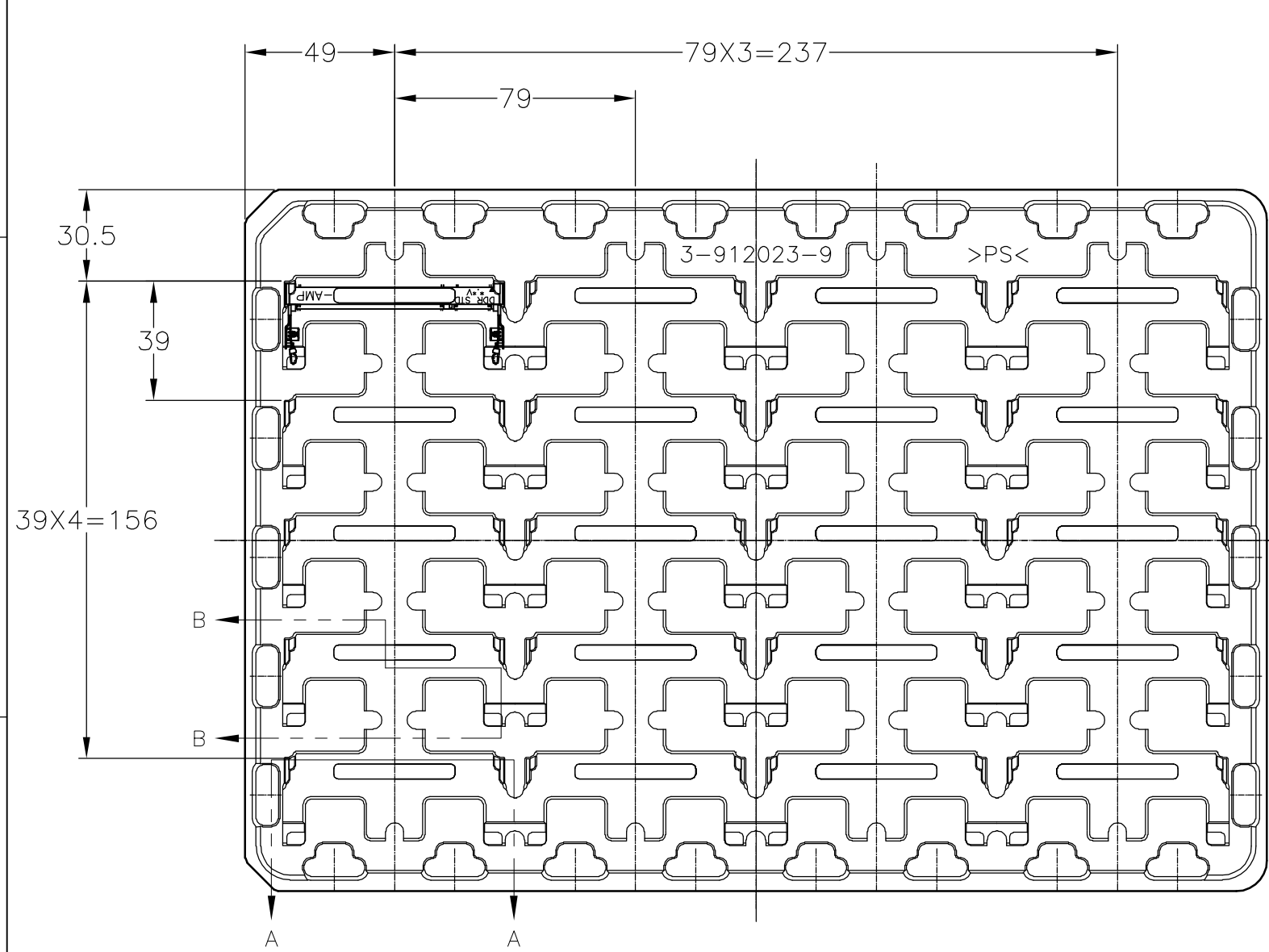
RECOMMENDED MATING P.C.B CONFIGURATION

THIS DRAWING IS A CONTROLLED DOCUMENT.		DWN
DIMENSIONS: MM		CHK
TOLERANCES UNLESS OTHERWISE SPECIFIED:		APVD
0 PLC	±	PRODUCT SPEC
1 PLC	±	APPLICATION SPEC
2 PLC	±	WEIGHT
3 PLC	±	CUSTOMER DRAWING
4 PLC	±	
ANGLES	±	
FINISH		

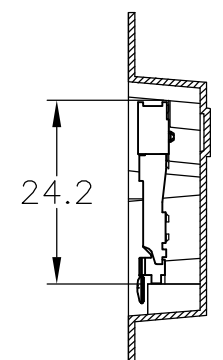
31.75	1.8V	17.55	2.4	2.7
25.4	2.5V	18.45	1.5	1.8
H	POWER SUPPLY	D5	D4	D3
		Tyco Electronics AMP K.K. Kawasaki, Japan		
NAME				
DDR1 & DDR2 SODIMM SOCKET				
0.6mm PITCH 200POS				
LOW PROFILE STANDARD TYPE				
SIZE	CAGE CODE	DRAWING NO	RESTRICTED TO	
A3	00779	C-1565691	-	
SCALE 2:1		SHEET 3 OF 4		REV G

THIS DRAWING IS UNPUBLISHED. RELEASED FOR PUBLICATION OCT ,2001.
 © COPYRIGHT 2001 BY TYCO ELECTRONICS CORPORATION. ALL RIGHTS RESERVED.

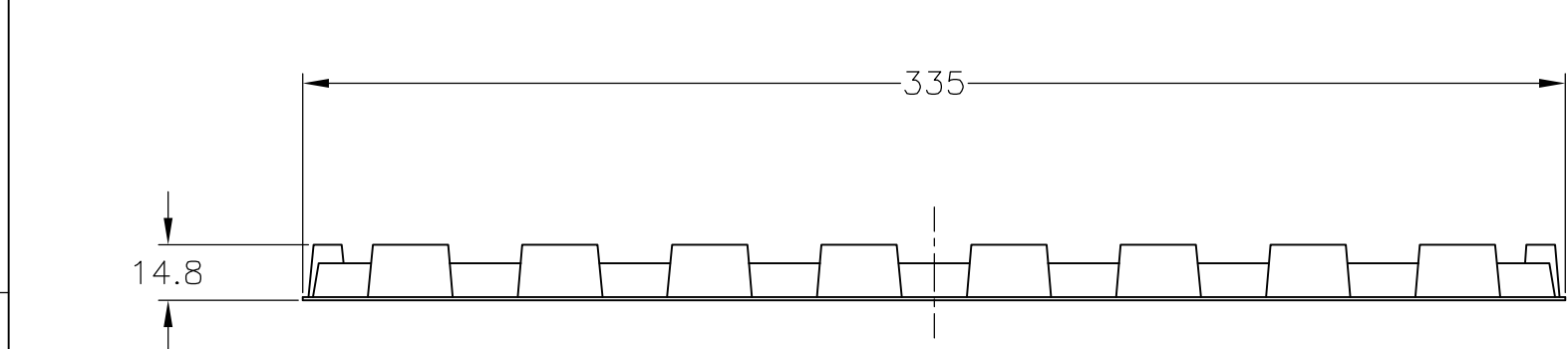
LOC	DIST	REVISIONS			
P	LTR	DESCRIPTION	DATE	DWN	APVD
		SEE SHEET 1	-	-	-



A-A
SCALE 2:1
(180DEG. ROTATE)



B-B
SCALE 2:1



1.8V (DDR2)	20EA/TRAY	1-1565691-4
1.8V (DDR2)	20EA/TRAY	1565691-4
2.5V (DDR1)	20EA/TRAY	1-1565691-1
2.5V (DDR1)	20EA/TRAY	1565691-1
POWER SUPPLY (TYPE)	QTY	P/N

- (APPLIED TO SHEET 4)
- 1 THE DIRECTION OF EACH CONNECTOR ON A TRAY IS REFERRED TO THIS DRAWING.
 - 2 GENERAL TOLERANCE: ±0.5

THIS DRAWING IS A CONTROLLED DOCUMENT.		DWN	Tyco Electronics AMP K.K. Kawasaki, Japan			
DIMENSIONS: MM		CHK				
TOLERANCES UNLESS OTHERWISE SPECIFIED:		APVD	NAME			
0 PLC ± 0.3		PRODUCT SPEC	DDR1 & DDR2 SODIMM SOCKET			
1 PLC ± 0.3		APPLICATION SPEC	0.6mm PITCH 200POS			
2 PLC ± 0.3		WEIGHT	LOW PROFILE STANDARD TYPE			
3 PLC ± 0.3		CUSTOMER DRAWING	SIZE	CAGE CODE	DRAWING NO	RESTRICTED TO
4 PLC ± 0.3			A3	00779	C-1565691	-
ANGLES ± 3'		SCALE	SHEET		REV	
FINISH		1:2	4 OF 4		G	